



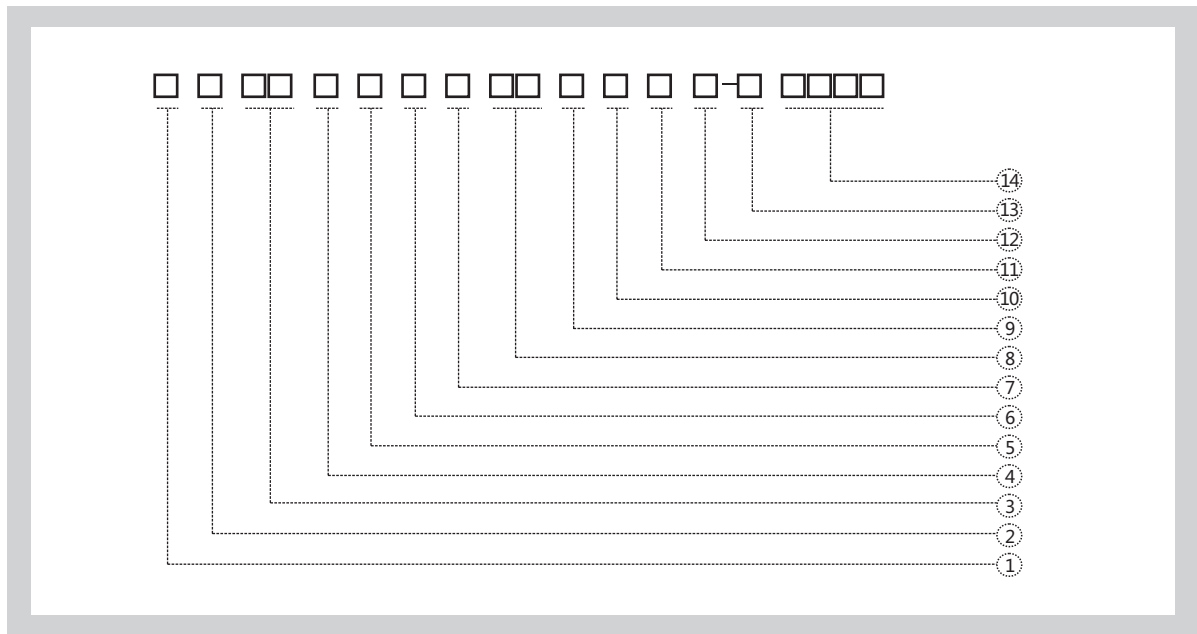
LANBAO SENSOR complete solution for the sensors

Established in 1998, Shanghai Lanbao Sensing Technology Co., Ltd. is a leading industrial automation products supplier in China. Our main businesses are industrial sensors R&D, production, sales and application, providing customers with standard and individual products and systems. Lanbao industrial sensors cover over 30 series, 3000 specifications, main products are inductive sensors, photoelectric sensors, capacitive sensors and pressure sensors. Lanbao has been making continuous breakthrough in new technology and new material application, which laid the foundation of its leading position in sensing technology.

Lanbao is an ISO9001:2008 quality management system and EU RoHS environmental directives implemented enterprise. Our series products are with CE, UL and CCC certification. The strict tests in function, quality, reliability and production feasibility at the design stage of each product and the strict quality management in production ensure excellent quality products.

Focus on innovation, quality, service and global market, Lanbao insists on creating maximal value for customers.

Naming rules



1. Type Code

C:Capacitive

2. Shape Code

R:Threaded cylindrical
Q:Smooth cylindrical
E:Rectangular

3. Size Code

Number:Housing diameter
e.g: 08:M8

4. Housing Material

N/A:Copper
S:Plastic
G:Stainless steel

5. Housing Length

A:Short
B:Standard
C:Long

6. Mounting

N:Non-flush(nf)
F:Flush(f)

7. Sensing Distance

02:2mm
04:4mm
10:10mm

8. Supply Voltage

A:20...250VAC
D:10...30VDC
E:10...60VDC
M:18...36VDC
S:20...250VAC/DC

9. Output Way

B:AC/DC 2 wires
T:AC 2 wires
P:PNP
N:NPN

E:NPN/PNP

F:NPN+PNP

K:Relay

10. Output Status

A:NO/NC reversible
B:NO/NC optional
Cable optional;Potentiometer optional
O:NO
C:NC
R:NO+NC
Note:Relay output is optional

11. By Sensor Function

N/A:Standard function
Y:Extended sensing distance
T1:On-delay function
T160:60s
T1600:600s
T2:Off-delay function
T260:60s
T2600:600s

12. Cable Length

N/A:2m
3M:3m

13. Connection

N/A:2M cable
E1:M8 connector (3 pins)
E2:M12 connector (4 pins)
E3:M8 connector (4 pins)
E4:M12 trapezoid connector (4 pins)
E5:M12 connector (5 pins)
D:Terminal

14. Special Requirement

In 4 Digits

Wiring diagram

DC 3Wires	NPN NO	NPN NC	PNP NO	PNP NC
Lead cable				
M12 Connector				

DC 4Wires	NPN NO+NC	PNP NO+NC		
Lead cable				
M12 Connector				

AC 2Wires	SCR NO	SCR NC		
Lead cable				
M12 Connector				

AC/DC 2Wires	NO	NC	NO/NC	
Lead cable				
M12 Connector				

AC/DC 5Wires	Lead cable	Terminal connect		
Relay				

Remarks

Connector	M8 Connector	M12 Connector		

Capacitive sensors

Standard function

metal type

P.07

Model	Output	Supply Voltage	Mounting	Sensing Distance	Dimension	Housing Material	Connection
-------	--------	----------------	----------	------------------	-----------	------------------	------------

DC 3/4Wires

P.07

CR12	DC 3Wires	DC10-30V	f/nf	2mm,4mm	M12*1*52	Nickel-copper Alloy	Cable
CR12	DC 3Wires	DC10-30V	f/nf	2mm,4mm	M12*1*65	Nickel-copper Alloy	M12 Connector
CR18	DC 3/4Wires	DC10-30V	f/nf	5mm,8mm	M18*1*70	Nickel-copper Alloy	Cable
CR18	DC 3/4Wires	DC10-30V	f/nf	5mm,8mm	M18*1*83.5	Nickel-copper Alloy	M12 Connector
CR30	DC 3/4Wires	DC10-30V	f/nf	10mm,15mm	M30*1.5*62	Nickel-copper Alloy	Cable
CR30	DC 3/4Wires	DC10-30V	f/nf	10mm,15mm	M30*1.5*79	Nickel-copper Alloy	M12 Connector
CQ20	DC 3/4Wires	DC10-30V	f	10mm	Φ20*80	Nickel-copper Alloy	Cable
CQ32	DC 3/4Wires	DC10-30V	f	15mm	Φ32*80	Nickel-copper Alloy	Cable

AC 2Wires

P.11

CR18	AC 2Wires	AC20-250V	f/nf	5mm,8mm	M18*1*70	Nickel-copper Alloy	Cable
CR18	AC 2Wires	AC20-250V	f/nf	5mm,8mm	M18*1*83.5	Nickel-copper Alloy	M12 Connector
CR30	AC 2Wires	AC20-250V	f/nf	10mm,15mm	M30*1.5*62	Nickel-copper Alloy	Cable
CR30	AC 2Wires	AC20-250V	f/nf	10mm,15mm	M30*1.5*79	Nickel-copper Alloy	M12 Connector
CQ20	AC 2Wires	AC20-250V	f	10mm	Φ20*80	Nickel-copper Alloy	Cable
CQ32	AC 2Wires	AC20-250V	f	15mm	Φ32*80	Nickel-copper Alloy	Cable

DC 3/4Wires (Stainless steel)

P.14

CR18G	DC 3/4Wires	DC10-30V	f/nf	5mm,8mm	M18*1*70	Stainless steel	Cable
CR30G	DC 3/4Wires	DC10-30V	f/nf	10mm,15mm	M30*1.5*62	Stainless steel	Cable
CQ20G	DC 3/4Wires	DC10-30V	f	10mm	Φ20*80	Stainless steel	Cable
CQ32G	DC 3/4Wires	DC10-30V	f	15mm	Φ32*80	Stainless steel	Cable

AC 2Wires (Stainless steel)

P.16

CR18G	AC 2Wires	AC20-250V	f/nf	5mm,8mm	M18*1*70	Stainless steel	Cable
CR30G	AC 2Wires	AC20-250V	f/nf	10mm,15mm	M30*1.5*62	Stainless steel	Cable
CQ20G	AC 2Wires	AC20-250V	f	10mm	Φ20*80	Stainless steel	Cable
CQ32G	AC 2Wires	AC20-250V	f	15mm	Φ32*80	Stainless steel	Cable

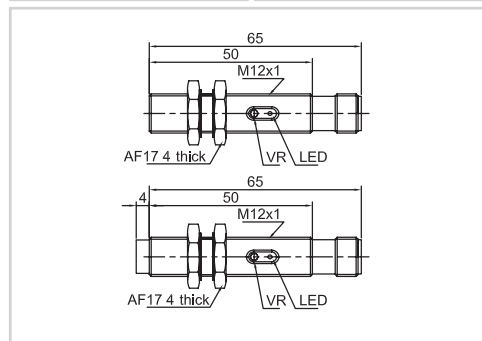
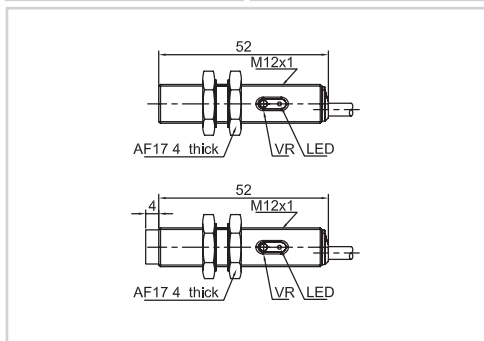
Item Code	CR12		CR12	
Mounting	● Flush	◐ Non-flush	● Flush	◐ Non-flush
Sensing distance	2mm	4mm	2mm	4mm



Output	NPN NO	CR12CF02DNO	CR12CN04DNO	CR12CF02DNO-E2	CR12CN04DNO-E2
	NPN NC	CR12CF02DNC	CR12CN04DNC	CR12CF02DNC-E2	CR12CN04DNC-E2
Output	PNP NO	CR12CF02DPO	CR12CN04DPO	CR12CF02DPO-E2	CR12CN04DPO-E2
	PNP NC	CR12CF02DPC	CR12CN04DPC	CR12CF02DPC-E2	CR12CN04DPC-E2

Technical Parameter

Supply voltage	10...30 VDC	10...30 VDC	10...30 VDC	10...30 VDC
Switch point drift	< ±20% Sr	< ±20% Sr	< ±20% Sr	< ±20% Sr
Load current	<200mA	<200mA	<200mA	<200mA
Voltage drop	<2.5V	<2.5V	<2.5V	<2.5V
Consumption current	<15mA	<15mA	<15mA	<15mA
Hysteresis	3...20%	3...20%	3...20%	3...20%
Repeat accuracy	<3%	<3%	<3%	<3%
Frequency	50Hz	50Hz	50Hz	50Hz
Output indicator	Yellow LED	Yellow LED	Yellow LED	Yellow LED
Polarity protection	yes	yes	yes	yes
Impulse voltage withstand	1000V/AC 50/60Hz 60s	1000V/AC 50/60Hz 60s	1000V/AC 50/60Hz 60s	1000V/AC 50/60Hz 60s
Short-circuit protection	yes	yes	yes	yes
Ambient temperature	-25...+70°C	-25...+70°C	-25...+70°C	-25...+70°C
Ambient moisture	35...95%	35...95%	35...95%	35...95%
Protection degree	IP67	IP67	IP67	IP67
Housing material	Nickel-copper Alloy	Nickel-copper Alloy	Nickel-copper Alloy	Nickel-copper Alloy
Connection	2m PVC Cable	2m PVC Cable	M12 Connector	M12 Connector
Certification	CE	CE	CE	CE

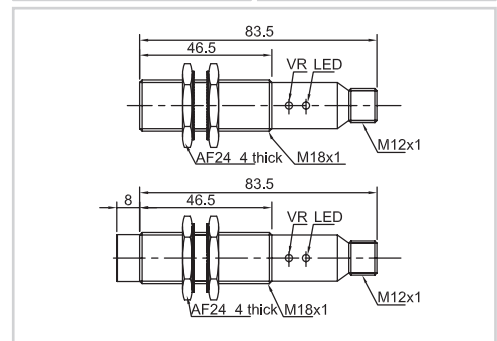
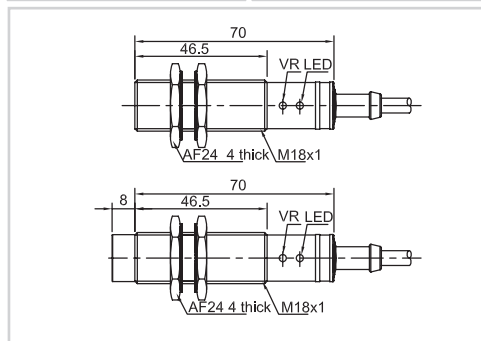


Item Code	CR18		CR18	
Mounting	● Flush	○ Non-flush	● Flush	○ Non-flush
Sensing distance	5mm	8mm	5mm	8mm



Output	NPN NO	CR18CF05DNO	CR18CN08DNO	CR18CF05DNO-E2	CR18CN08DNO-E2
	NPN NC	CR18CF05DNC	CR18CN08DNC	CR18CF05DNC-E2	CR18CN08DNC-E2
	NPN NO+NC	CR18CF05DNR	CR18CN08DNR	CR18CF05DNR-E2	CR18CN08DNR-E2
Output	PNP NO	CR18CF05DPO	CR18CN08DPO	CR18CF05DPO-E2	CR18CN08DPO-E2
	PNP NC	CR18CF05DPC	CR18CN08DPC	CR18CF05DPC-E2	CR18CN08DPC-E2
	PNP NO+NC	CR18CF05DPR	CR18CN08DPR	CR18CF05DPR-E2	CR18CN08DPR-E2

Technical Parameter				
Supply voltage	10...30 VDC	10...30 VDC	10...30 VDC	10...30 VDC
Switch point drift	< ±20% Sr	< ±20% Sr	< ±20% Sr	< ±20% Sr
Load current	<200mA	<200mA	<200mA	<200mA
Voltage drop	<2.5V	<2.5V	<2.5V	<2.5V
Consumption current	<15mA	<15mA	<15mA	<15mA
Hysteresis	3...20%	3...20%	3...20%	3...20%
Repeat accuracy	<3%	<3%	<3%	<3%
Frequency	50Hz	50Hz	50Hz	50Hz
Output indicator	Yellow LED	Yellow LED	Yellow LED	Yellow LED
Polarity protection	yes	yes	yes	yes
Impulse voltage withstand	1000V/AC 50/60Hz 60s	1000V/AC 50/60Hz 60s	1000V/AC 50/60Hz 60s	1000V/AC 50/60Hz 60s
Short-circuit protection	yes	yes	yes	yes
Ambient temperature	-25...+70°C	-25...+70°C	-25...+70°C	-25...+70°C
Ambient moisture	35...95%	35...95%	35...95%	35...95%
Protection degree	IP67	IP67	IP67	IP67
Housing material	Nickel-copper Alloy	Nickel-copper Alloy	Nickel-copper Alloy	Nickel-copper Alloy
Connection	2m PVC Cable	2m PVC Cable	M12 Connector	M12 Connector
Certification	CE U _L	CE U _L	CE U _L	CE U _L

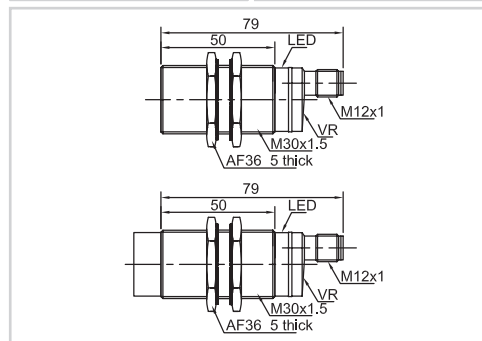
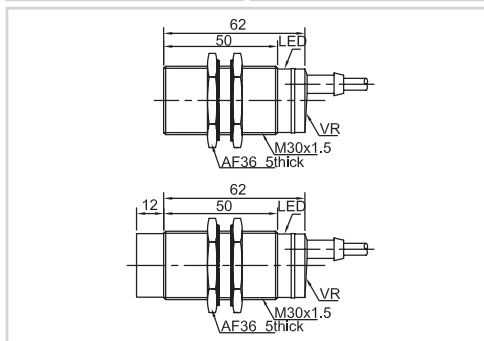


Item Code	CR30		CR30	
Mounting	● Flush	◐ Non-flush	● Flush	◐ Non-flush
Sensing distance	10mm	15mm	10mm	15mm



Output	NPN NO	CR30CF10DNO	CR30CN15DNO	CR30CF10DNO-E2	CR30CN15DNO-E2
	NPN NC	CR30CF10DNC	CR30CN15DNC	CR30CF10DNC-E2	CR30CN15DNC-E2
	NPN NO+NC	CR30CF10DNR	CR30CN15DNR	CR30CF10DNR-E2	CR30CN15DNR-E2
Output	PNP NO	CR30CF10DPO	CR30CN15DPO	CR30CF10DPO-E2	CR30CN15DPO-E2
	PNP NC	CR30CF10DPC	CR30CN15DPC	CR30CF10DPC-E2	CR30CN15DPC-E2
	PNP NO+NC	CR30CF10DPR	CR30CN15DPR	CR30CF10DPR-E2	CR30CN15DPR-E2

Technical Parameter				
Supply voltage	10...30 VDC	10...30 VDC	10...30 VDC	10...30 VDC
Switch point drift	< ±20% Sr	< ±20% Sr	< ±20% Sr	< ±20% Sr
Load current	<200mA	<200mA	<200mA	<200mA
Voltage drop	<2.5V	<2.5V	<2.5V	<2.5V
Consumption current	<15mA	<15mA	<15mA	<15mA
Hysteresis	3...20%	3...20%	3...20%	3...20%
Repeat accuracy	<3%	<3%	<3%	<3%
Frequency	50Hz	50Hz	50Hz	50Hz
Output indicator	Yellow LED	Yellow LED	Yellow LED	Yellow LED
Polarity protection	yes	yes	yes	yes
Impulse voltage withstand	1000V/AC 50/60Hz 60s	1000V/AC 50/60Hz 60s	1000V/AC 50/60Hz 60s	1000V/AC 50/60Hz 60s
Short-circuit protection	yes	yes	yes	yes
Ambient temperature	-25...+70°C	-25...+70°C	-25...+70°C	-25...+70°C
Ambient moisture	35...95%	35...95%	35...95%	35...95%
Protection degree	IP67	IP67	IP67	IP67
Housing material	Nickel-copper Alloy	Nickel-copper Alloy	Nickel-copper Alloy	Nickel-copper Alloy
Connection	2m PVC Cable	2m PVC Cable	M12 Connector	M12 Connector
Certification	CE U _L	CE U _L	CE U _L	CE U _L



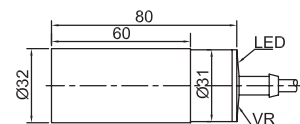
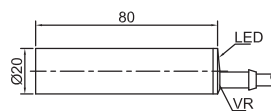
Item Code	CQ20	CQ32
Mounting	● Flush	● Flush
Sensing distance	10mm	15mm



Output	NPN NO	CQ20CF10DNO	CQ32CF15DNO
	NPN NC	CQ20CF10DNC	CQ32CF15DNC
	NPN NO+NC	CQ20CF10DNR	CQ32CF15DNR
Output	PNP NO	CQ20CF10DPO	CQ32CF15DPO
	PNP NC	CQ20CF10DPC	CQ32CF15DPC
	PNP NO+NC	CQ20CF10DPR	CQ32CF15DPR

Technical Parameter

Supply voltage	10...30 VDC	10...30 VDC
Switch point drift	< ±20% Sr	< ±20% Sr
Load current	<200mA	<200mA
Voltage drop	<2.5V	<2.5V
Consumption current	<15mA	<15mA
Hysteresis	3...20%	3...20%
Repeat accuracy	<3%	<3%
Frequency	50Hz	50Hz
Output indicator	Yellow LED	Yellow LED
Polarity protection	yes	yes
Impulse voltage withstand	1000V/AC 50/60Hz 60s	1000V/AC 50/60Hz 60s
Short-circuit protection	yes	yes
Ambient temperature	-25...+70°C	-25...+70°C
Ambient moisture	35...95%	35...95%
Protection degree	IP67	IP67
Housing material	Nickel-copper Alloy	Nickel-copper Alloy
Connection	2m PVC Cable	2m PVC Cable
Certification	CE U _L	CE U _L



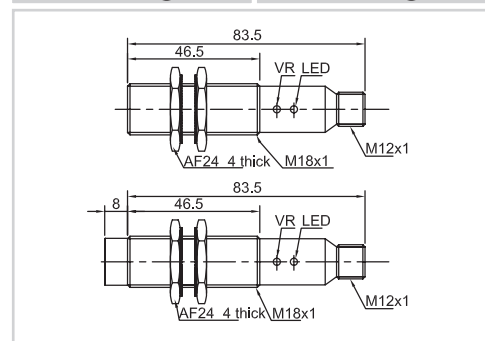
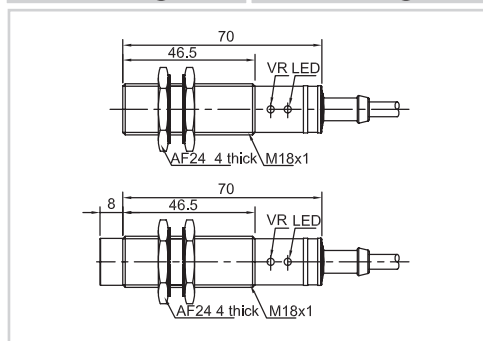
Item Code	CR18		CR18	
Mounting	● Flush	◐ Non-flush	● Flush	◐ Non-flush
Sensing distance	5mm	8mm	5mm	8mm



Output	AC 2Wires NO	CR18CF05ATO	CR18CN08ATO	CR18CF05ATO-E2	CR18CN08ATO-E2
	AC 2Wires NC		CR18CF05ATC	CR18CN08ATC	CR18CF05ATC-E2

Technical Parameter

Supply voltage	20...250 VAC	20...250 VAC	20...250 VAC	20...250 VAC
Switch point drift	< ±20% Sr	< ±20% Sr	< ±20% Sr	< ±20% Sr
Load current	<300mA	<300mA	<300mA	<300mA
Voltage drop	<10V	<10V	<10V	<10V
Consumption current	<3mA	<3mA	<3mA	<3mA
Hysteresis	3...20%	3...20%	3...20%	3...20%
Repeat accuracy	<3%	<3%	<3%	<3%
Frequency	15Hz	15Hz	15Hz	15Hz
Output indicator	Yellow LED	Yellow LED	Yellow LED	Yellow LED
Polarity protection
Impulse voltage withstand	2000V/AC 50/60Hz 60s	2000V/AC 50/60Hz 60s	2000V/AC 50/60Hz 60s	2000V/AC 50/60Hz 60s
Short-circuit protection
Ambient temperature	-25...+70°C	-25...+70°C	-25...+70°C	-25...+70°C
Ambient moisture	35...95%	35...95%	35...95%	35...95%
Protection degree	IP67	IP67	IP67	IP67
Housing material	Nickel-copper Alloy	Nickel-copper Alloy	Nickel-copper Alloy	Nickel-copper Alloy
Connection	2m PVC Cable	2m PVC Cable	M12 Connector	M12 Connector
Certification	CE U _L	CE U _L	CE U _L	CE U _L



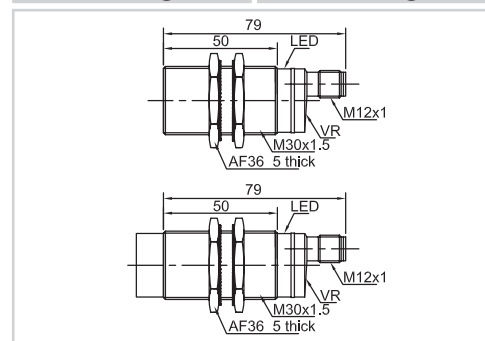
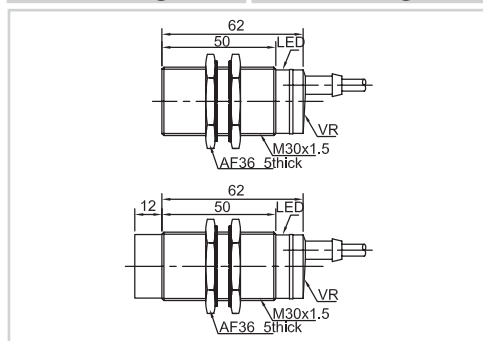
Item Code	CR30		CR30	
Mounting	● Flush	◐ Non-flush	● Flush	◐ Non-flush
Sensing distance	10mm	15mm	10mm	15mm



Output	AC 2Wires NO	CR30CF10ATO	CR30CN15ATO	CR30CF10ATO-E2	CR30CN15ATO-E2
	AC 2Wires NC	CR30CF10ATC	CR30CN15ATC	CR30CF10ATC-E2	CR30CN15ATC-E2

Technical Parameter

Supply voltage	20...250 VAC	20...250 VAC	20...250 VAC	20...250 VAC
Switch point drift	< ±20% Sr	< ±20% Sr	< ±20% Sr	< ±20% Sr
Load current	<300mA	<300mA	<300mA	<300mA
Voltage drop	<10V	<10V	<10V	<10V
Consumption current	<3mA	<3mA	<3mA	<3mA
Hysteresis	3...20%	3...20%	3...20%	3...20%
Repeat accuracy	<3%	<3%	<3%	<3%
Frequency	15Hz	15Hz	15Hz	15Hz
Output indicator	Yellow LED	Yellow LED	Yellow LED	Yellow LED
Polarity protection
Impulse voltage withstand	2000V/AC 50/60Hz 60s	2000V/AC 50/60Hz 60s	2000V/AC 50/60Hz 60s	2000V/AC 50/60Hz 60s
Short-circuit protection
Ambient temperature	-25...+70°C	-25...+70°C	-25...+70°C	-25...+70°C
Ambient moisture	35...95%	35...95%	35...95%	35...95%
Protection degree	IP67	IP67	IP67	IP67
Housing material	Nickel-copper Alloy	Nickel-copper Alloy	Nickel-copper Alloy	Nickel-copper Alloy
Connection	2m PVC Cable	2m PVC Cable	M12 Connector	M12 Connector
Certification	CE U _L	CE U _L	CE U _L	CE U _L



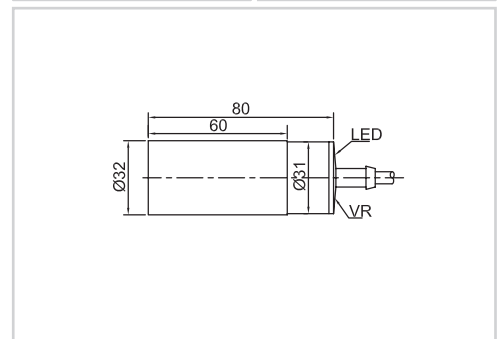
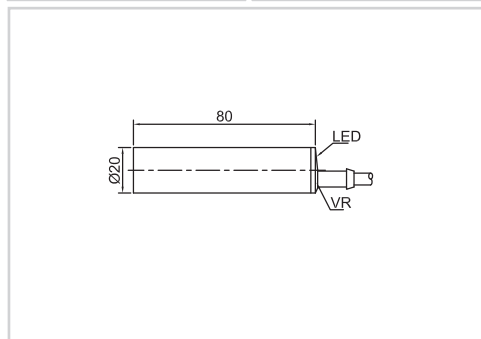
Item Code	CQ20		CQ32	
Mounting	● Flush		● Flush	
Sensing distance	10mm		15mm	



Output	AC 2Wires NO	CQ20CF10ATO	CQ32CF15ATO
	AC 2Wires NC	CQ20CF10ATC	CQ32CF15ATC

Technical Parameter

Supply voltage	20...250 VAC	20...250 VAC
Switch point drift	< ±20% Sr	< ±20% Sr
Load current	<300mA	<300mA
Voltage drop	<10V	<10V
Consumption current	<3mA	<3mA
Hysteresis	3...20%	3...20%
Repeat accuracy	<3%	<3%
Frequency	15Hz	15Hz
Output indicator	Yellow LED	Yellow LED
Polarity protection
Impulse voltage withstand	2000V/AC 50/60Hz 60s	2000V/AC 50/60Hz 60s
Short-circuit protection
Ambient temperature	-25...+70°C	-25...+70°C
Ambient moisture	35...95%	35...95%
Protection degree	IP67	IP67
Housing material	Nickel-copper Alloy	Nickel-copper Alloy
Connection	2m PVC Cable	2m PVC Cable
Certification	CE U _L	CE U _L

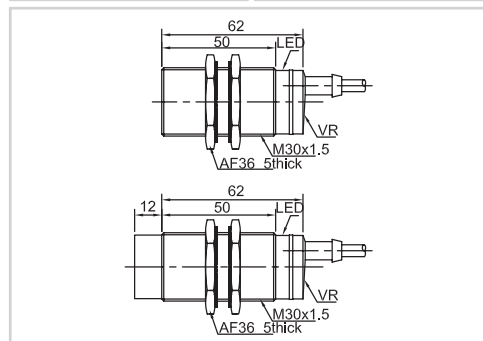
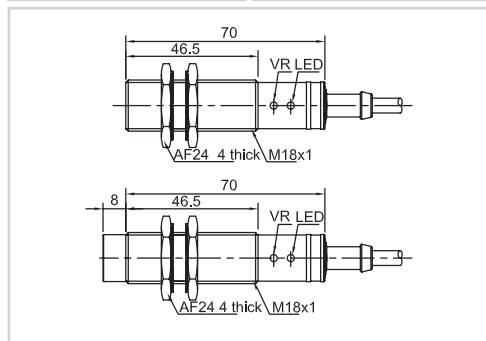


Item Code	CR18G		CR30G	
Mounting	● Flush	◐ Non-flush	● Flush	◐ Non-flush
Sensing distance	5mm	8mm	10mm	15mm



Output	NPN NO	CR18GCF05DNO	CR18GCN08DNO	CR30GCF10DNO	CR30GCN15DNO
	NPN NC	CR18GCF05DNC	CR18GCN08DNC	CR30GCF10DNC	CR30GCN15DNC
	NPN NO+NC	CR18GCF05DNR	CR18GCN08DNR	CR30GCF10DNR	CR30GCN15DNR
Output	PNP NO	CR18GCF05DPO	CR18GCN08DPO	CR30GCF10DPO	CR30GCN15DPO
	PNP NC	CR18GCF05DPC	CR18GCN08DPC	CR30GCF10DPC	CR30GCN15DPC
	PNP NO+NC	CR18GCF05DPR	CR18GCN08DPR	CR30GCF10DPR	CR30GCN15DPR

Technical Parameter				
Supply voltage	10...30 VDC	10...30 VDC	10...30 VDC	10...30 VDC
Switch point drift	< ±20% Sr	< ±20% Sr	< ±20% Sr	< ±20% Sr
Load current	<200mA	<200mA	<200mA	<200mA
Voltage drop	<2.5V	<2.5V	<2.5V	<2.5V
Consumption current	<15mA	<15mA	<15mA	<15mA
Hysteresis	3...20%	3...20%	3...20%	3...20%
Repeat accuracy	<3%	<3%	<3%	<3%
Frequency	50Hz	50Hz	50Hz	50Hz
Output indicator	Yellow LED	Yellow LED	Yellow LED	Yellow LED
Polarity protection	yes	yes	yes	yes
Impulse voltage withstand	1000V/AC 50/60Hz 60s	1000V/AC 50/60Hz 60s	1000V/AC 50/60Hz 60s	1000V/AC 50/60Hz 60s
Short-circuit protection	yes	yes	yes	yes
Ambient temperature	-25...+70°C	-25...+70°C	-25...+70°C	-25...+70°C
Ambient moisture	35...95%	35...95%	35...95%	35...95%
Protection degree	IP67	IP67	IP67	IP67
Housing material	Stainless steel	Stainless steel	Stainless steel	Stainless steel
Connection	2m PVC Cable	2m PVC Cable	2m PVC Cable	2m PVC Cable
Certification	CE U _L	CE U _L	CE U _L	CE U _L



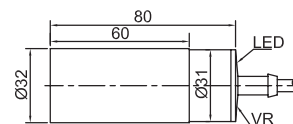
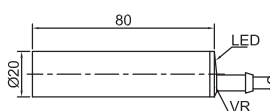
Item Code	CQ20G	CQ32G
Mounting	● Flush	● Flush
Sensing distance	10mm	15mm



Output	NPN NO	CQ20GCF10DNO	CQ32GCF15DNO
	NPN NC	CQ20GCF10DNC	CQ32GCF15DNC
	NPN NO+NC	CQ20GCF10DNR	CQ32GCF15DNR
Output	PNP NO	CQ20GCF10DPO	CQ32GCF15DPO
	PNP NC	CQ20GCF10DPC	CQ32GCF15DPC
	PNP NO+NC	CQ20GCF10DPR	CQ32GCF15DPR

Technical Parameter

Supply voltage	10...30 VDC	10...30 VDC
Switch point drift	< ±20% Sr	< ±20% Sr
Load current	<200mA	<200mA
Voltage drop	<2.5V	<2.5V
Consumption current	<15mA	<15mA
Hysteresis	3...20%	3...20%
Repeat accuracy	<3%	<3%
Frequency	50Hz	50Hz
Output indicator	Yellow LED	Yellow LED
Polarity protection	yes	yes
Impulse voltage withstand	1000V/AC 50/60Hz 60s	1000V/AC 50/60Hz 60s
Short-circuit protection	yes	yes
Ambient temperature	-25...+70°C	-25...+70°C
Ambient moisture	35...95%	35...95%
Protection degree	IP67	IP67
Housing material	Stainless steel	Stainless steel
Connection	2m PVC Cable	2m PVC Cable
Certification	CE U _L	CE U _L



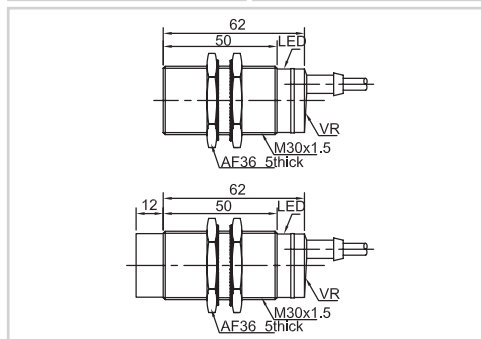
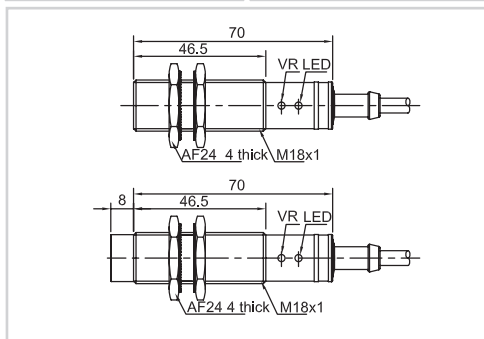
Item Code	CR18G		CR30G	
Mounting	● Flush	○ Non-flush	● Flush	○ Non-flush
Sensing distance	5mm	8mm	10mm	15mm



Output	AC 2Wires NO	CR18GCF05ATO	CR18GCN08ATO	CR30GCF10ATO	CR30GCN15ATO
	AC 2Wires NC	CR18GCF05ATC	CR18GCN08ATC	CR30GCF10ATC	CR30GCN15ATC

Technical Parameter

Supply voltage	20...250 VAC	20...250 VAC	20...250 VAC	20...250 VAC
Switch point drift	< ±20% Sr	< ±20% Sr	< ±20% Sr	< ±20% Sr
Load current	<300mA	<300mA	<300mA	<300mA
Voltage drop	<10V	<10V	<10V	<10V
Consumption current	<3mA	<3mA	<3mA	<3mA
Hysteresis	3...20%	3...20%	3...20%	3...20%
Repeat accuracy	<3%	<3%	<3%	<3%
Frequency	15Hz	15Hz	15Hz	15Hz
Output indicator	Yellow LED	Yellow LED	Yellow LED	Yellow LED
Polarity protection
Impulse voltage withstand	2000V/AC 50/60Hz 60s	2000V/AC 50/60Hz 60s	2000V/AC 50/60Hz 60s	2000V/AC 50/60Hz 60s
Short-circuit protection
Ambient temperature	-25...+70°C	-25...+70°C	-25...+70°C	-25...+70°C
Ambient moisture	35...95%	35...95%	35...95%	35...95%
Protection degree	IP67	IP67	IP67	IP67
Housing material	Stainless steel	Stainless steel	Stainless steel	Stainless steel
Connection	2m PVC Cable	2m PVC Cable	2m PVC Cable	2m PVC Cable
Certification	CE U _L	CE U _L	CE U _L	CE U _L



Item Code	CQ20G	CQ32G
Mounting	● Flush	● Flush
Sensing distance	10mm	15mm



Output	AC 2Wires NO	CQ20GCF10ATO	CQ32GCF15ATO
	AC 2Wires NC	CQ20GCF10ATC	CQ32GCF15ATC

Technical Parameter

Supply voltage	20...250 VAC	20...250 VAC
Switch point drift	< ±20% Sr	< ±20% Sr
Load current	<300mA	<300mA
Voltage drop	<10V	<10V
Consumption current	<3mA	<3mA
Hysteresis	3...20%	3...20%
Repeat accuracy	<3%	<3%
Frequency	15Hz	15Hz
Output indicator	Yellow LED	Yellow LED
Polarity protection
Impulse voltage withstand	2000V/AC 50/60Hz 60s	2000V/AC 50/60Hz 60s
Short-circuit protection
Ambient temperature	-25...+70°C	-25...+70°C
Ambient moisture	35...95%	35...95%
Protection degree	IP67	IP67
Housing material	Stainless steel	Stainless steel
Connection	2m PVC Cable	2m PVC Cable
Certification	CE U _L	CE U _L

